

DETAIL A
CLASS 600/900

DETAIL A
CLASS 1500

ANTISTATIC DETAIL

Size NPS	d	D	J			L			h	M	N	WEIGHT Kg			ISO 5211
			CLASS 600	CLASS 900	CLASS 1500	CLASS 600	CLASS 900	CLASS 1500				CLASS 600	CLASS 900	CLASS 1500	
1/2"	14	-	69	93	93	165	216	216	30,5	180	116	4	7,3	7,3	F03
3/4" x 1/2"	14	19	81,5	99,5	99,5	190	229	229	30,5	180	116	5,2	8,9	8,9	F03
3/4"	19	-	79	98	98	190	229	229	38	180	116	6,5	11,6	11,6	F04
1" x 3/4"	19	25	92	137,5	137,5	216	254	254	38	180	116	7,4	14,61	14,61	F04
1"	25	-	88,5	106	106	216	254	254	46	*	*	7,8	16,5	16,5	F05
1 1/2" x 1"	25	38	101	131,5	131,5	241	305	305	46	*	*	14,3	21,7	21,7	F05
1 1/2"	38	-	93,5	122	122	241	305	305	67,5	*	*	21,3	34,8	34,8	F07
2" x 1 1/2"	38	51	117,5	154	154	292	368	368	67,5	*	*	24	40,5	40,5	F07
2"	51	-	118	158	-	292	368	-	77	*	*	26,5	41,6	-	F07
3" x 2"	51	76	206	-	-	356	-	-	77	*	*	37	-	-	F07
3"	76	-	134	-	-	356	-	-	109	*	*	58	-	-	F10
4" x 3"	76	102	230	-	-	432	-	-	109	*	*	78	-	-	F10
4"	102	-	168	-	-	432	-	-	130	*	*	112	-	-	F12
6" x 4"	102	152	175	-	-	559	-	-	130	*	*	149	-	-	F12

* Dimensions on request
** Only for Class 1500



Tapis, 126 - P.O. Box, 13 - 17600 FIGUERES (Girona) Spain
Tel.: (34) 972 67 70 52 - Fax: (34) 972 50 90 40
E-mail: bac@bacvalves.com - web: www.bacvalves.com

Título / Title
 PLANO GENERAL VÁLVULA DE BOLA "BAC"
 TIPO AP/AP-R ANSI CLASS 600-900-1500
GENERAL DRAWING "BAC" BALL VALVE
 AP/AP-R ANSI TYPE CLASS 600-900-1500

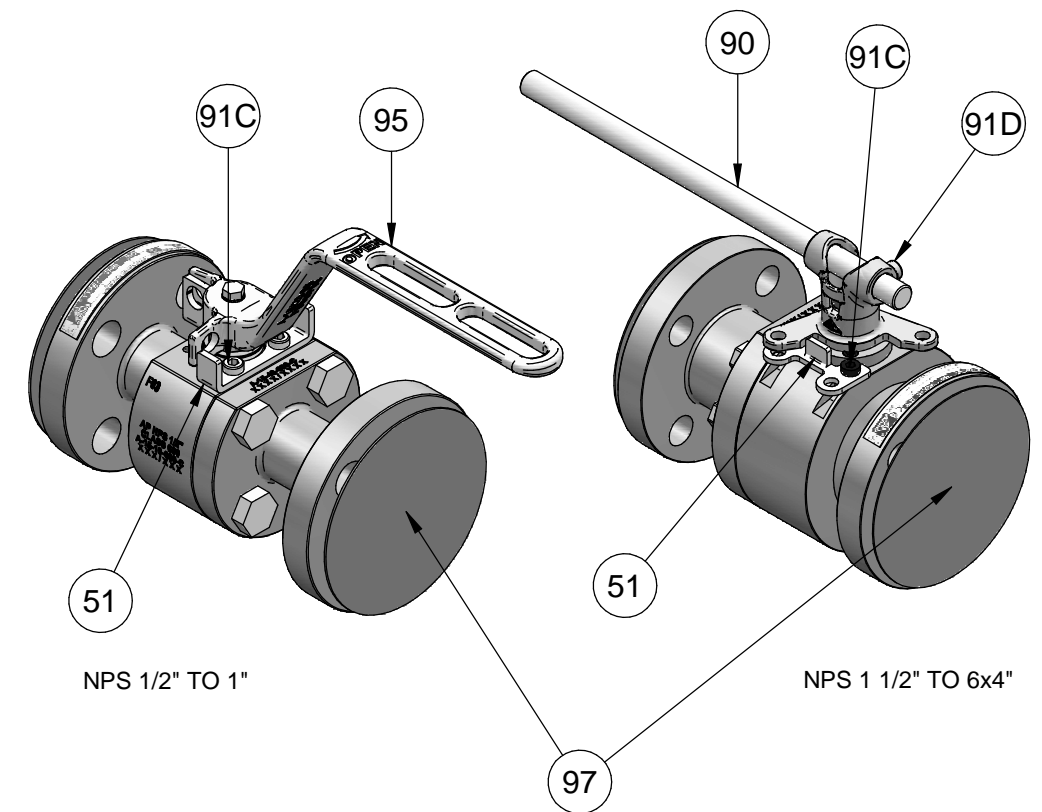
Dibujado / Drawn J. Marchante	Escala / Scale
Aprobado / Approved J. Font	Fecha / Date 23-04-2014
Plano nº / Drawing nr. DP-DW-AP-APR-ANSI-600_900_1500	Sheet 1/2

Prohibido el uso y reproducción de este plano parcial o totalmente, sin expresa autorización de BAC VALVES S.A.
 Any partially or totally use or reproduction of this drawing, without specific authorization of BAC VALVES S.A. is forbidden

97	END CAP COVER	2	PEBD			
96C	WASHER DIN 6798.A	1	ISO 3506 A2-70			
96	WASHER DIN 9021	1	ASTM A240 304			
95	WRENCH	1	ASTM A351 CF8			
94	SPRING WASHER	-	ASTM A240 316			
93	WRENCH SUPPORT	1	ASTM A351 CF8			
92	GLAND BOLT DIN 912	4	ASTM A193 B8M	ASTM A193 B7	ASTM A320 L7M	
91D	WRENCH SUPPORT BOLT	1	ISO 3506 A2-70			
91C	STOP PLATE BOLT	2/3	ISO 3506 A2-70			
91B	WRENCH BOLT	1	ISO 3506 A2-70			
91	BODY CONNECTOR BOLT	-	ASTM A193 B8M	ASTM A193 B7	ASTM A320 L7M	
90	WRENCH TUBE	1	ASTM A351 CF8			
89B	ANTISTATIC SPRING	1/2	ASTM A479 316			
89A	ANTISTATIC BALL	1/2	ASTM A479 316			
89	BEARING	1	PTFE			
86	FRICION WASHER	1/2	CLASS 600, CLASS 900: PTFE CLASS 1500: PEEK			✓
85F	FIRESAFE STEM SEAL	1	GRAPHITE			✓
85	BODY SEAL	1	PTFE MOD.			✓
84	ID PLATE	1	ASTM A240 316			
83B	STEM BACK-UP	1	PTFE			✓
83A	BODY BACK-UP	1	PTFE			✓
82	CIRCLIP	1	ASTM A479 316			
81A	BODY CONNECTOR O-RING	1	VITON B90 ED			✓
81	STEM O-RING	1	VITON B90 ED			✓
80A	GUIDE O-RING	1	VITON B90 ED			✓
80	GUIDE O-RING	1/2	VITON B90 ED			✓
71	BODY SEAL	1	GRAPHITE			✓
70	TOP SEAL	1	GRAPHITE			✓
60	SEAT	2	CLASS 600, CLASS 900: DEVLON V API CLASS 1500: PEEK			✓
59	RING	1	ASTM A479 316			
57	GUIDE RING	1	ASTM A479 316			
56	GLAND	1	ASTM A479 316			
55A	TOP FLANGE BOLT DIN 439	1	ASTM A194 8M	ASTM A194 2H	ASTM A194 7ML	
55	GLAND PLATE	1	ASTM A479 304			
53	LOCK WASHER	1	ASTM A240 304			
51	INDICATOR	1	ASTM A240 304			
40	BODY CONNECTOR	1	ASTM A-479 316	ASTM A-105 N	ASTM A350 LF2	
30	STEM	1	CLASS 600, CLASS 900: ASTM A479 316 CLASS 1500: ASTM A479 S31803			
20	BALL	1	CLASS 600, CLASS 900: ASTM A-351 CF8M or ASTM A-479 316 CLASS 1500: ASTM A479 S31803			
10	BODY	1	ASTM A-479 316	ASTM A-105 N	ASTM A350 LF2	
POS.	DENOMINATION	QTY.	MAT. SS VERSION	MAT. CS VERSION	MAT. LTCS VERSION	SPARE PARTS

STANDARDS

DESIGN	API 6D / ISO 14313
FACE TO FACE	ASME B16.10 LONG PATTERN
FLANGED	ASME B16.5 RF SMOOTH FINISH Ra 3.2-6.3 µm
FIRE SAFE	ISO 10497, API 607 5ed
ANTI-STATIC	API 6D / ISO 14313
TOP FLANGE	ISO 5211
INT. WETTED PARTS	NACE MR0175
PED	97/23/EC module B+D



BAC
bac valves

Tapis, 126 - P.O. Box, 13 - 17600 FIGUERES (Girona) Spain
Tel.: (34) 972 67 70 52 - **Fax:** (34) 972 50 90 40
E-mail: bac@bacvalves.com - **web:** www.bacvalves.com

Titulo / Title

PLANO GENERAL VÁLVULA DE BOLA "BAC"
TIPO AP/AP-R ANSI CLASS 600-900-1500
GENERAL DRAWING "BAC" BALL VALVE
AP/AP-R ANSI TYPE CLASS 600-900-1500

Dibujado / Drawn

J. Marchante

Aprobado / Approved
J. Font

Escala / Scale

Fecha / Date
23-04-2014

Plano nº / Drawing nr.

DP-DW-AP_APR-ANSI-600_900_1500

Sheet
2/2