


NPS		CLASS	ØA	Ød	ØD	h	H	J	L		ISO	WEIGHT		
FB	RB								FB	RB		FB	RB	
			mm										Kg	
1 1/2"	2" x 1 1/2"	150	18	38	49	70	103	82,5	165	178	F05	13	15	
		300	18	38	49	70	103	87	190	216	F05	17	19	
2"	3" x 2"	150	18	49	74	76	109	88	178	203	F05	17	23	
		300	22	49	74	85,5	115,8	104	216	282	F07	26	37	
3"	4" x 3"	150	28	74	100	107	147	130	203	229	F10	53	50	
		300	28	74	100	107	147	130	282	305	F10	55	63	
4"	6" x 4"	150	28	100	150	124,5	164,5	111	229	267	F10	58	77	
		300	36	100	150	143,5	193,5	142	305	403	F12	100	125	

Rev.	Descripción / Description	Dibujado / Drawn	Aprobado / Approved	Fecha / Date
	 BAC VALVES	Tapis, 126 - P.O. Box, 13 - 17600 FIGUERES (Girona) Spain Tel.: (34) 972 67 70 52 - Fax: (34) 972 50 90 40 E-mail: bac@bacvalves.com - web: www.bacvalves.com		
Título / Title "BAC" BALL VALVE APT TYPE GENERAL DRAWING O-RING VERSION #150 - #300		Dibujado / Drawn Albert Molins	Escala / Scale -:-	
		Aprobado / Approved Jordi Font	Fecha / Date 31-05-2011	
		Plano nº / Drawing nr. DP-BAC-DW-APT-ORING-150-300-BARESTEM	Rev. 00	

Prohibido el uso y reproducción de este plano parcial o totalmente, sin expresa autorización de BAC VALVES S.A.
 Any partially or totally use or reproduction of this drawing, without specific authorization of BAC VALVES S.A. is forbidden.

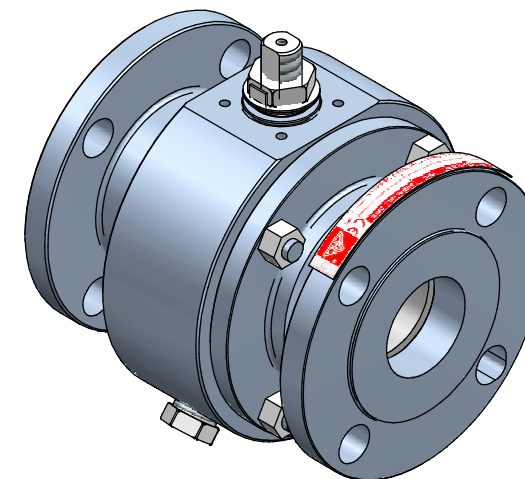
101	ANTISTATIC	-	-	ASTM A479 316			
100	DRAIN CAP	1	1	ASTM A105N	ASTM A479 316		
99	NUT DIN 934	-	-	ASTM A194 2HM	ASTM A194 7M	ASTM A194 8M	
98	NUT DIN 439	1	0	ASTM F738M A2			
97	BOLT DIN 976	-	-	ASTM A193 B7M	ASTM A320 L7M	ASTM A193 B8M	
94	SPRING WASHER	0	-	ASTM A479 316			
92B	BOLT DIN 912	4	4	ASTM A193 B7M	ASTM A320 L7M	ASTM A193 B8M	
92A	BOLT DIN 912	0	4	ASTM A193 B7M	ASTM A320 L7M	ASTM A193 B8M	
91	SPRING WASHER	2	0	ASTM A479 316			
86B	RING	0	1	PTFE			✓
86A	FRICION RING	1	1	PTFE			✓
85F	STEM SEAL	1	1	GRAPHITE			✓
85	GLAND PACKING	0	1	PTFE MOD.			✓
84	ID. PLATE	1	1	ASTM A479 316			
82	CIRCLIP	0	1	ASTM A479 316			
81E	TRUNNION O-RING	1	1	FKM			✓
81D	BONNET O-RING	1	1	FKM			✓
81C	STEM O-RING	1	2	FKM			✓
81B	SEAT O-RING	2	2	FKM			✓
81A	COVER O-RING	1	1	FKM			✓
80	TRUNNION SEAL	1	1	GRAPHITE			✓
79	SEAT SEAL	2	2	GRAPHITE			
71	COVER SEAL	1	1	GRAPHITE + 316			✓
70	BONNET SEAL	0	1	GRAPHITE			✓
64	SPRING	-	-	ASTM B637 N07718			
62	HOUSING SEAT RING	2	2	ASTM A479 316			
61	SEAT	2	2	PTFE MOD. RCAR			
59	RING	0	1	ASTM A479 316			
57	GLAND RING	1	0	ASTM A479 316			
56	GLAND RING	0	1	ASTM A479 316			
55	TOP FLANGE	0	1	CS + BLACK FINISH	ASTM A479 304	ASTM A479 316	
53	LOCK WASHER	1	0	ASTM F738M A2		ASTM F738M A4	
45	TRUNNION COVER	1	1	ASTM A105N	ASTM A350 LF2	ASTM A479 316	
41	COVER	1	1	ASTM A105N	ASTM A350 LF2	ASTM A479 316	
37	TRUNNION STEM	1	1	ASTM A479 316			
36	BALL BEARING	1	1	ASTM A479 316 + RF. PTFE			
35B	TRUNNION BEARING	1	1	ASTM A479 316 + RF. PTFE			
35A	STEM BEARING	1	1	ASTM A479 316 + RF. PTFE			
31	STEM	1	1	ASTM A479 316			
21	BALL	1	1	ASTM A479 316			
11	BODY	1	1	ASTM A105N	ASTM A350 LF2	ASTM A479 316	
POS.	DESCRIPTION	F05	F07-F12	CS VERSION	LTCS VERSION	SS VERSION	SPARE PARTS
		QUANTITY		STANDARD MATERIAL*			

* Other materials under request

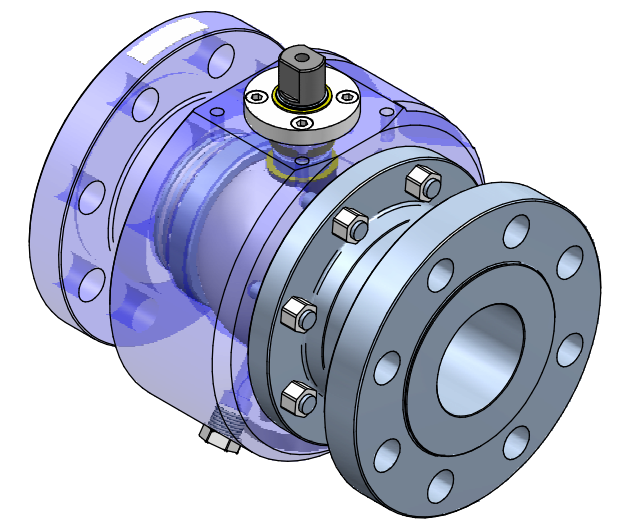
STANDARDS:

DESIGN	ISO 14313 / API 6D
FACE TO FACE	ASME B16.10 LONG PATTERN
FLANGED / ENDS **	ASME B16.5 RF - SMOOTH FINISH Ra (3.2-6.3)
	ASME B16.5 RTJ
	ASME B16.25 BW
FIRE SAFE	ISO 10497 / API 607 5ed.
ANTISTATIC	ISO 14313 / API 6D
TOP FLANGE	ISO 5211
INT. WETTED PARTS	NACE MR103


** Other end types under request



F05 design



F07 up to F12 design

Rev.	Descripción / Description	Dibujado / Drawn	Aprobado / Approved	Fecha / Date
	 <p>Tapis, 126 - P.O. Box, 13 - 17600 FIGUERES (Girona) Spain Tel.: (34) 972 67 70 52 - Fax: (34) 972 50 90 40 E-mail: bac@bacvalves.com - web: www.bacvalves.com</p>			
Título / Title "BAC" BALL VALVE APT TYPE GENERAL DRAWING O-RING VERSION #150 - #300		Dibujado / Drawn Albert Molins	Escala / Scale -:-	
		Aprobado / Approved Jordi Font	Fecha / Date 31-05-2011	
		Plano nº / Drawing nr. DP-BAC-DW-APT-ORING-150-300-BARESTEM	Rev. 00	