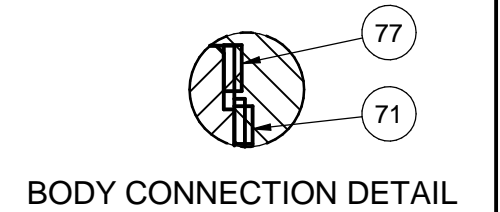
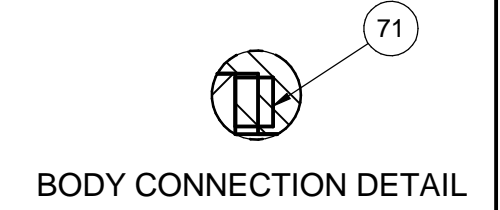


STUFFING BOX DETAIL

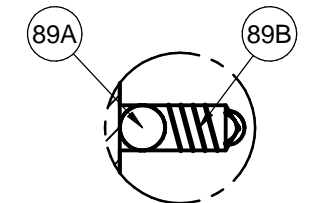
NPS 2" TO 8"



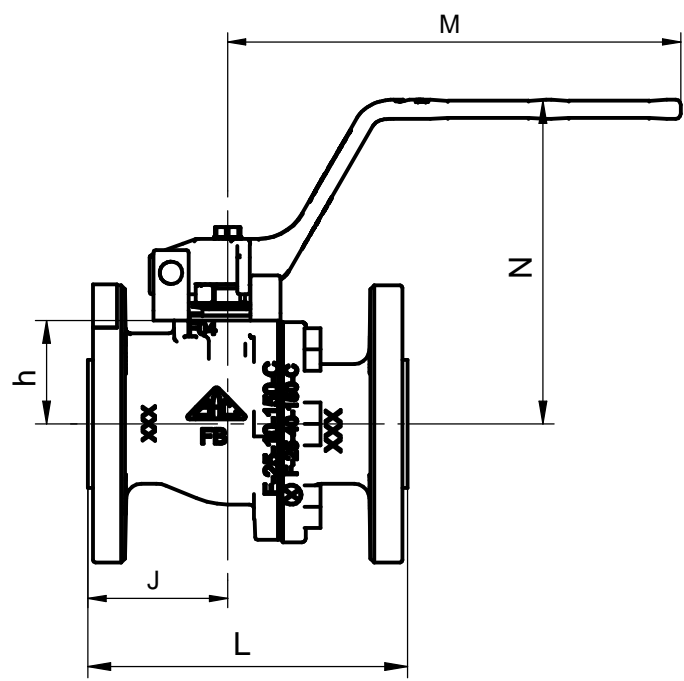
NPS 2" TO 8"



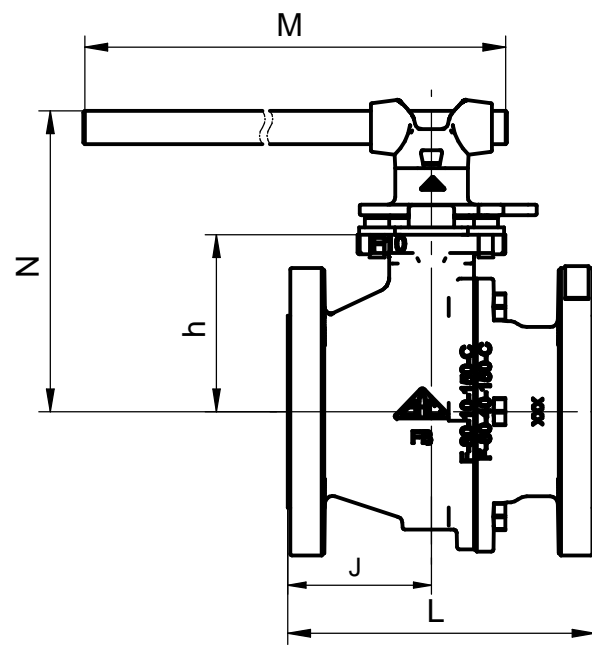
NPS 1/2" TO 1 1/2"



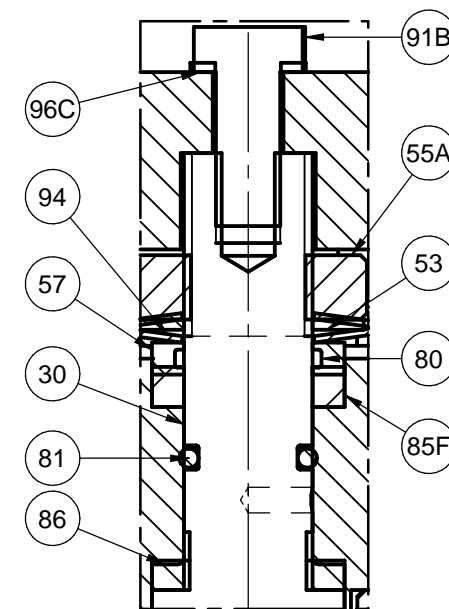
ANTISTATIC DETAIL



NPS 1/2 TO 1 1/2"

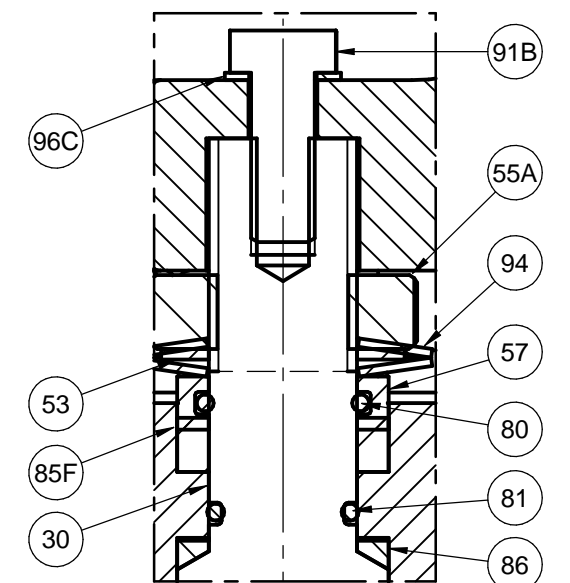


NPS 2" TO 8"



STUFFING BOX DETAIL

NPS 1/2" TO 3/4"



STUFFING BOX DETAIL

NPS 1" TO 1 1/2"

* Dimensions on request

Size NPS	D	J		L		h	M	N	WEIGHT (Kg)		ISO 5211
		CLASS 150	CLASS 300	CLASS 150	CLASS 300				CLASS 150	CLASS 300	
1/2"	14	47	52	108	140	34	180	117	1,8	2,4	F03s
3/4"	19	53	53	117	152	39,5	180	124	3,1	4,8	F03
1"	24	55,5	60	127	165	41	180	128	4,3	5,7	F04
1 1/2"	38	75		165	190	55,5	240	142	8,3	10,4	F05
2"	50	80		178	216	89	350	160	12,8	15	F07
3"	76	95		203	282,5	117	600	199	25,4	32,5	F10
4"	100	104		229	305	135	*	*	37	49,8	F10
6"	151	175		394	403	195	*	*	89,4	112,7	F12
8"	202	200		457	502	237	*	*	162	200	F14



Tapis, 126 - P.O. Box, 13 - 17600 FIGUERES (Girona) Spain
 Tel.: (34) 972 67 70 52 - Fax: (34) 972 50 90 40
 E-mail: bac@bacvalves.com - web: www.bacvalves.com

Titulo / Title
 PLANO GENERAL VÁLVULA DE BOLA "BAC"
 TIPO FB ANSI
 GENERAL DRAWING "BAC" BALL VALVE
 FB ANSITYPE

Dibujado / Drawn
 J. Marchante

Escala / Scale

Aprobado / Approved
 J. Font

Fecha / Date
 26-05-2014

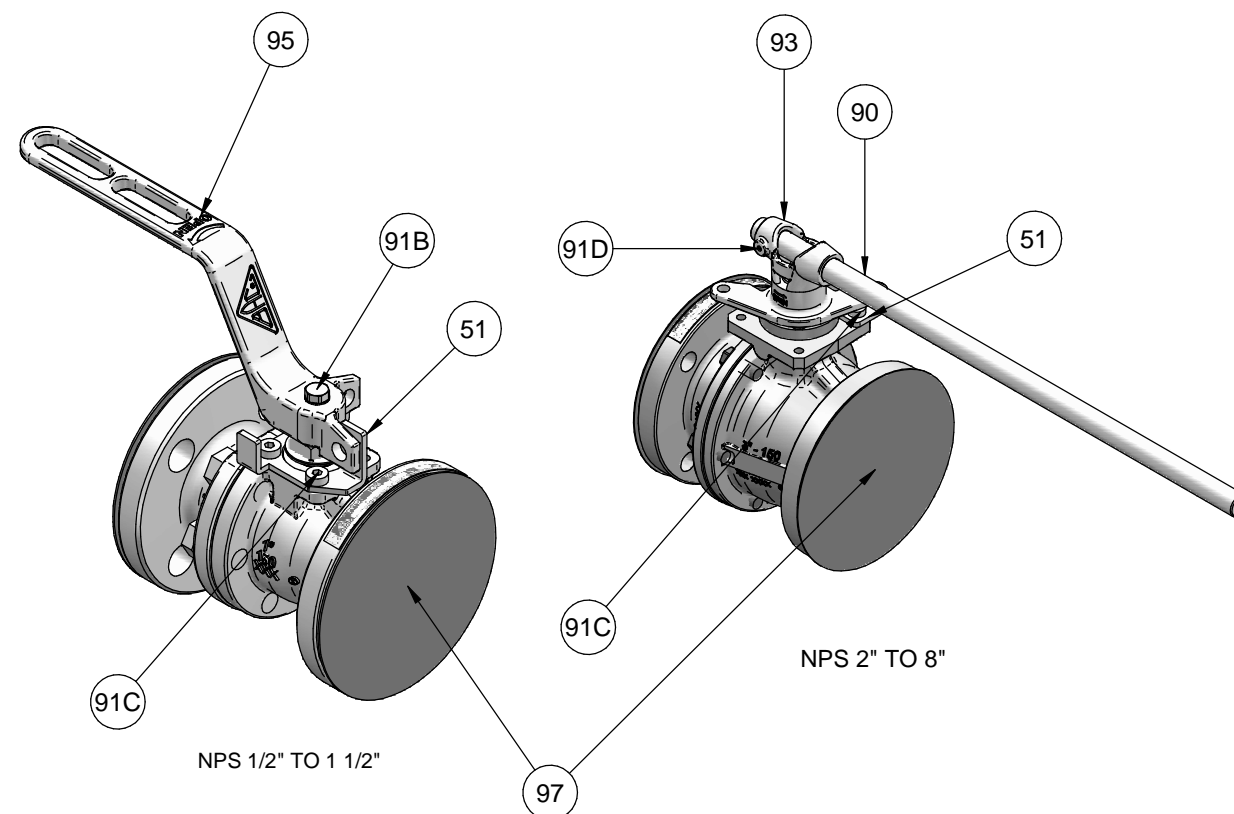
Plano nº / Drawing nr.
 DP-DW-FB-ANSI-000_00

Sheet
 1/2

97	END CAP COVER	2	PEBD			
96C	WASHER DIN 6798.A	1	ISO 3506 A2-70			
96	WASHER DIN 9021	1	ASTM A240 304			
95	WRENCH	1	ASTM A351 CF8			
94	SPRING WASHER	-	ASTM A479 316			
93	WRENCH SUPPORT	1	ASTM A351 CF8			
92	GLAND BOLT DIN 912	4	ISO 3506 A2-70			
91D	WRENCH SUPPORT BOLT	1	ISO 3506 A2-70			
91C	STOP PLATE BOLT	2/3	ISO 3506 A2-70			
91B	WRENCH BOLT	1	ISO 3506 A2-70			
91	BODY CONNECTOR BOLT	-	ASTM A193 B8M	ASTM A193 B7	ASTM A320 L7M	
90	WRENCH TUBE	1	ASTM A479 304	CS ST.42 (ZINC PLATED)	ASTM A479 304	
89B	ANTISTATIC SPRING	1/2	ASTM A479 316			
89A	ANTISTATIC BALL	1/2	ASTM A479 316			
89	BEARING	1	PTFE			
86	AXIAL BEARING	1/2	PTFE VIRGIN			✓
85F	FIRESAFE STEM SEAL	1	GRAPHITE			✓
85	GLAND PACKING	1	PTFE MOD.			✓
84	ID PLATE	1	ASTM A240 316			
82	CIRCLIP	1	ASTM A479 316			
81	STEM O-RING	1	VITON PTFE COATING			✓
80A	GUIDE O-RING	1	VITON B90			✓
80	GUIDE O-RING	1/2	VITON PTFE COATING			✓
77	BODY SEAL	1	PTFE VIRGIN			✓
71	FIRESAFE BODY SEAL	1	GRAPHITE			✓
70	FIRESAFE TOP SEAL	1	GRAPHITE			✓
60	SEAT	2	PTFE MOD.			✓
59	WASHER GUIDE	1	ASTM A479 316			
57	GUIDE RING	1	ASTM A479 316			
56	FOLLOWER	1	ASTM A479 316			
55A	TOP FLANGE BOLT DIN 439	1	ISO 3506 A2-70			
55	GLAND PLATE	1	ASTM A479 304	A105 + BLACK FINISHED	ASTM A479 304	
53	LOCK WASHER	1	ASTM A240 304			
51	INDICATOR	1	ASTM A240 304			
40	BODY CONNECTOR	1	ASTM A351 CF8M ASTM A479 316	ASTM A216 WCC ASTM A105 N	ASTM A352 LCC ASTM A350 LF2	
30	STEM	1	ASTM A479 316			
20	BALL	1	ASTM A351 CF8M or ASTM A479 316			
10	BODY	1	ASTM A351 CF8M ASTM A479 316	ASTM A216 WCC ASTM A105 N	ASTM A352 LCC ASTM A350 LF2	
POS.	DENOMINATION	QTY.	MAT. SS VERSION	MAT. CS VERSION	MAT. LTCS VERSION	SPARE PARTS

STANDARDS

DESIGN	ISO 17292
FACE TO FACE	ASME B16.10 LONG PATTERN
FLANGED	ASME B16.5 RF SMOOTH FINISH Ra 3.2-6.3 μm
FIRE SAFE	ISO 10497, API 607 5ed
ANTI-STATIC	ISO 17292
TOP FLANGE	ISO 5211
INT. WETTED PARTS	NACE MR0103
PED	97/23/EC module B+D



BAC
bac valves

Tapis, 126 - P.O. Box, 13 - 17600 FIGUERES (Girona) Spain
Tel.: (34) 972 67 70 52 - **Fax:** (34) 972 50 90 40
E-mail: bac@bacvalves.com - **web:** www.bacvalves.com

Título / Title

PLANO GENERAL VÁLVULA DE BOLA "BAC"
TIPO FB ANSI
GENERAL DRAWING "BAC" BALL VALVE
FB ANSITYPE

Dibujado / Drawn

J. Marchante

Aprobado / Approved

J. Font

Escala / Scale

Fecha / Date

26-05-2014

Plano nº / Drawing nr.

DP-DW-FB-ANSI-000_00

Sheet

2/2