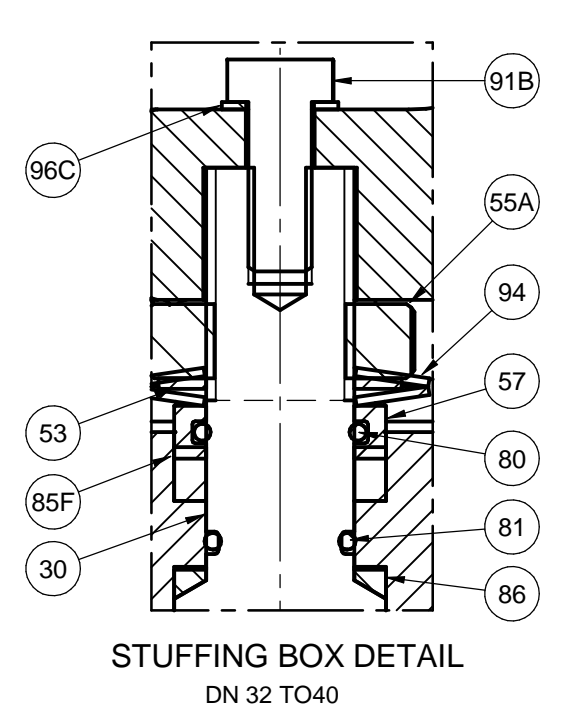
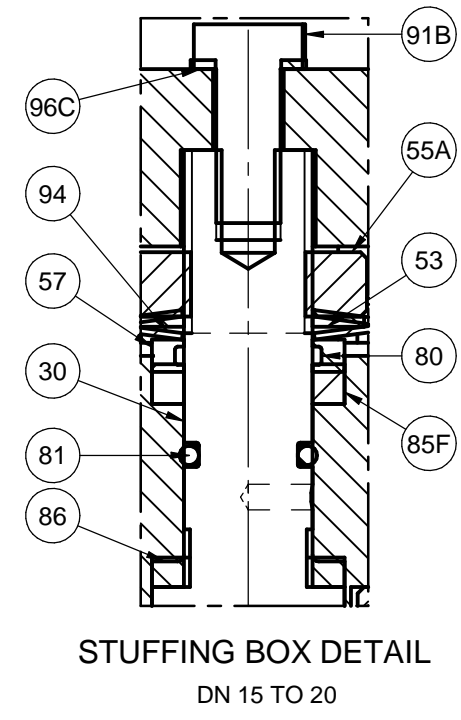
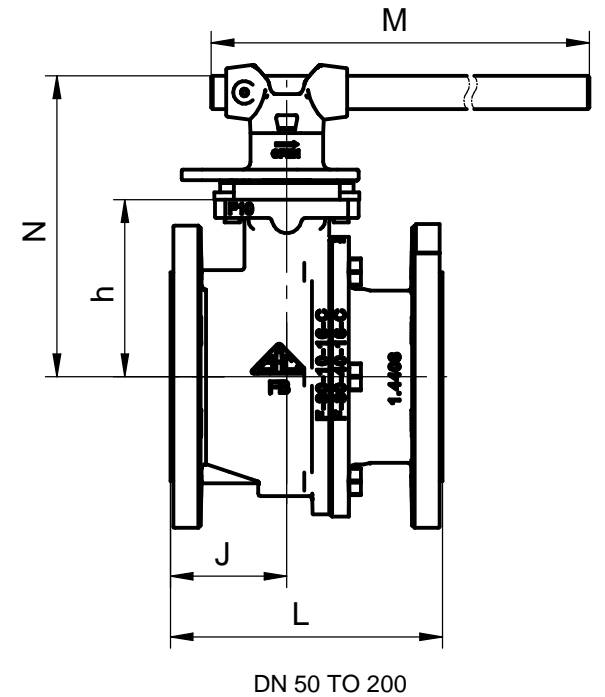
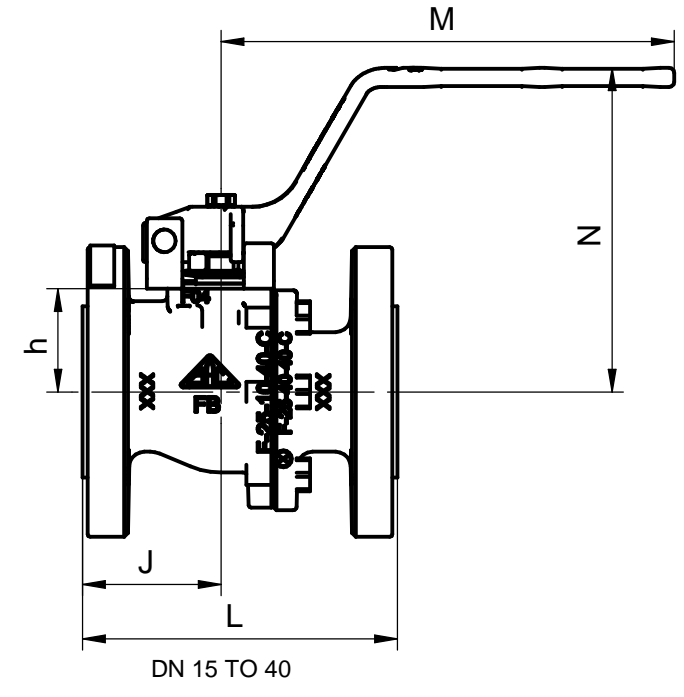


STUFFING BOX DETAIL
DN 50 TO 200




STUFFING BOX DETAIL
DN 15 TO 20

STUFFING BOX DETAIL
DN 32 TO 40

- Design and dimensions are subject to change without notice, except the dimensions established by international standard
- Dimensions in mm

Size DN-NPS	D	J		L		h	M	N	WEIGHT (Kg)				ISO 5211
		PN10/16/25	PN40	PN10/16/25	PN40				PN10	PN16	PN25	PN40	
15	14	-	50,5	-	115	34	180	117	-	-	-	2,8	F03s
20	19	-	53	-	120	39,5	180	124	-	-	-	3,6	F03
25	24	-	55	-	125	41	180	128	-	-	-	5	F04
32	30	-	51	-	130	50	240	138	-	-	-	7,1	F05
40	38	-	57	-	140	55,5	240	142	-	-	-	8,7	F05
50	50	63	-	150	89	350	160	-	12,9	-	-	12,9	F07
65	62	72	-	170	95,5	350	169	-	16	-	-	16,7	F07
80	76	77	-	180	117	600	199	-	22	-	-	24	F10
100	100	86	-	190	135	*	*	-	31	-	-	34	F10
125	120	140	-	325	174	*	*	-	58	-	-	63	F12
150	151	175	-	350	195	*	*	-	74	-	-	95	F12
200	202	200	-	400	237	*	*	150	150	167	174	F14	

* Dimensions on request

01	First Issue	J. Marchante	Jordi Font	10-06-2014
Rev.	Descripción / Description	Dibujado / Drawn	Aprobado / Approved	Fecha / Date
 BAC bac valves				
Tapis, 126 - P.O. Box, 13 - 17600 FIGUERES (Girona) Spain Tel.: (34) 972 67 70 52 - Fax: (34) 972 50 90 40 E-mail: bac@bacvalves.com - web: www.bacvalves.com				
Título / Title PLANO GENERAL VÁLVULA DE BOLA "BAC" TIPO FB DIN GENERAL DRAWING "BAC" BALL VALVE FB DIN TYPE		Dibujado / Drawn J. Marchante		Escala / Scale
		Aprobado / Approved J. Font		Fecha / Date 10-06-2014
Plano nº / Drawing nr. DT-GAD-FB-DIN-SS-OR-STD-H95				Rev. 01

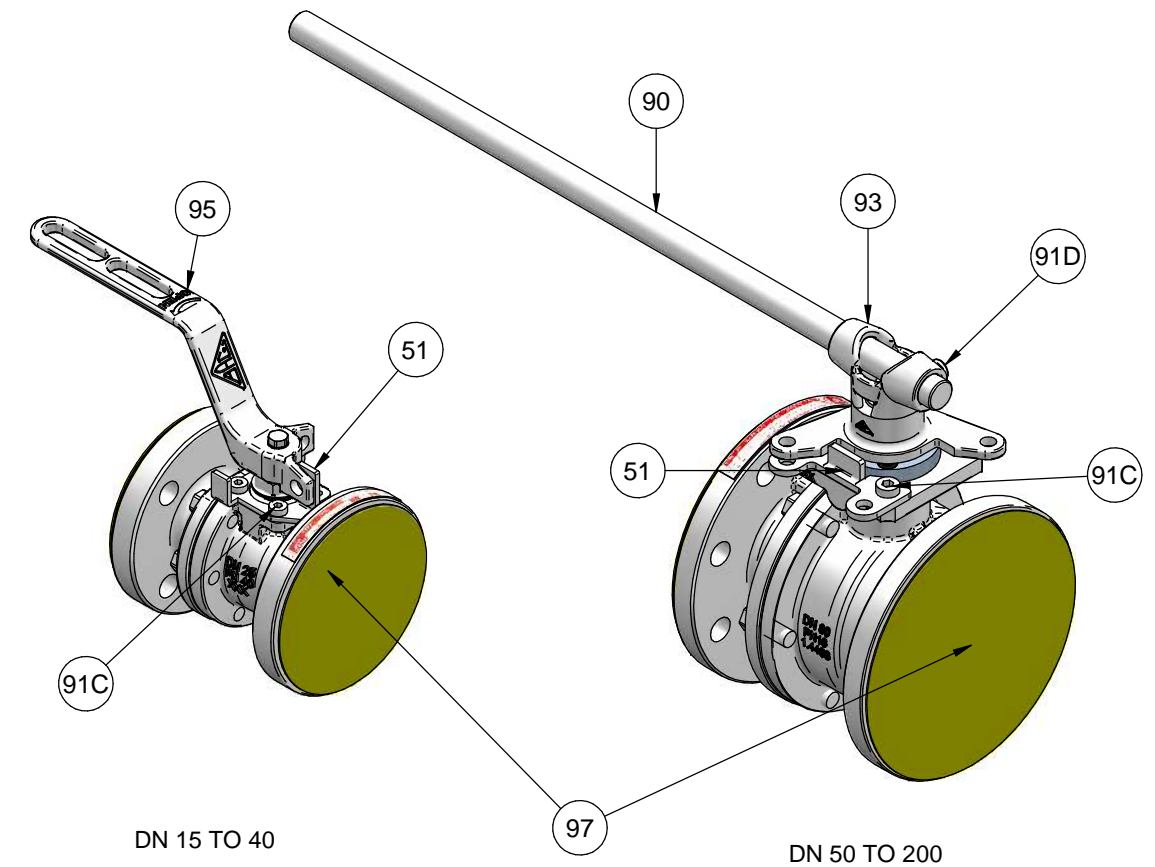
Prohibido el uso y reproducción de este plano parcial o totalmente, sin expresa autorización de BAC VALVES S.A. Any partially or totally use or reproduction of this drawing, without specific authorization of BAC VALVES S.A. is forbidden.


97	END CAP COVER	2	PEBD			
96C	WASHER DIN 6798.A	1	ISO 3506 A2-70			
96	WASHER DIN 9021	1	ASTM A240 304			
95	WRENCH	1	ASTM A351 CF8			
94	SPRING WASHER	-	ASTM A240 316			
93	WRENCH SUPPORT	1	ASTM A351 CF8			
92	GLAND BOLT DIN 912	4	ISO 3506 A2-70			
91D	WRENCH SUPPORT BOLT	1	ISO 3506 A2-70			
91C	STOP PLATE BOLT	2/3	ISO 3506 A2-70			
91B	WRENCH BOLT	1	ISO 3506 A2-70			
91	BODY CONNECTOR BOLT	-	ISO 3506 A4-70			
90	WRENCH TUBE	1	ASTM A479 304	CS ST.42 (ZINC PLATED)	ASTM A479 304	
89B	ANTISTATIC SPRING	2	ASTM A479 316			
89A	ANTISTATIC BALL	2	ASTM A479 316			
89	BEARING	1	PTFE			
86	AXIAL BEARING	1/2	PTFE VIRGIN			
85F	FIRESAFE STEM SEAL	1	GRAPHITE			
85	GLAND PACKING	1	PTFE MOD.			
84	ID PLATE	1	ASTM A240 316			
82	CIRCLIP	1	ASTM A479 316			
81	STEM O-RING	1	VITON PTFE COATING			
80A	GUIDE O-RING	1	VITON B90			
80	GUIDE O-RING	1/2	VITON PTFE COATING			
77	BODY SEAL	1	PTFE VIRGIN			
71	FIRESAFE BODY SEAL	1	GRAPHITE			
70	FIRESAFE TOP SEAL	1	GRAPHITE			
60	SEAT	2	PTFE MOD.			
59	WASHER GUIDE	1	ASTM A479 316			
57	GUIDE RING	1	ASTM A479 316			
56	FOLLOWER	1	ASTM A479 316			
55A	TOP FLANGE BOLT DIN 439	1	ISO 3506 A2-035			
55	GLAND PLATE	1	ASTM A479 304	A105 + BLACK FINISHED	ASTM A479 304	
53	LOCK WASHER	1	ASTM A240 304			
51	INDICATOR	1	ASTM A240 304			
40	BODY CONNECTOR	1	EN 10213-4 1.4408	EN 10213-2 1.0619	EN 10213-3 1.1131	
30	STEM	1	ASTM A479 316	ASTM A479 304 **	ASTM A479 304 **	
20	BALL	1	ASTM A351 CF8M ASTM A479 316	ASTM A351 CF8 * ASTM A479 304	ASTM A351 CF8 * ASTM A479 304	
10	BODY	1	EN 10213-4 1.4408	EN 10213-2 1.0619	EN 10213-3 1.1131	
POS.	DENOMINATION	QTY.	MAT. SS VERSION	MAT. CS VERSION	MAT. LTCS VERSION	SPARE PARTS

* <DN 80 ASTM A-479 316 or ASTM A-351 CF8M
** <DN 80 ASTM A-479 316

STANDARDS

DESIGN	ISO 17292
FACE TO FACE	EN 558-1 serie27
FLANGED	EN 1092 part 1 type B1
FIRE SAFE	ISO 10497, API 607 5ed
ANTI-STATIC	ISO 17292
TOP FLANGE	ISO 5211
INT. WETTED PARTS	NACE MR0175
PED	97/23/EC module B+D



01	First Issue	J. Marchante	Jordi Font	10-06-2014
Rev.	Descripción / Description	Dibujado / Drawn	Aprobado / Approved	Fecha / Date
 BAC bac valves				
Tapis, 126 - P.O. Box, 13 - 17600 FIGUERES (Girona) Spain Tel.: (34) 972 67 70 52 - Fax: (34) 972 50 90 40 E-mail: bac@bacvalves.com - web: www.bacvalves.com				
PLANO GENERAL VÁLVULA DE BOLA "BAC" TIPO FB DIN GENERAL DRAWING "BAC" BALL VALVE FB DIN TYPE		Dibujado / Drawn J. Marchante		Escala / Scale
		Aprobado / Approved J. Font		Fecha / Date 10-06-2014
Plano nº / Drawing nr. DT-GAD-FB-DIN-SS-OR-STD-H95				Rev. 01