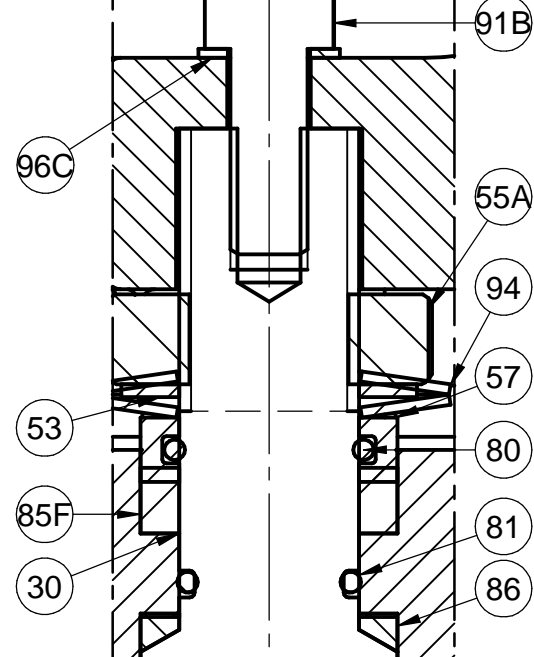


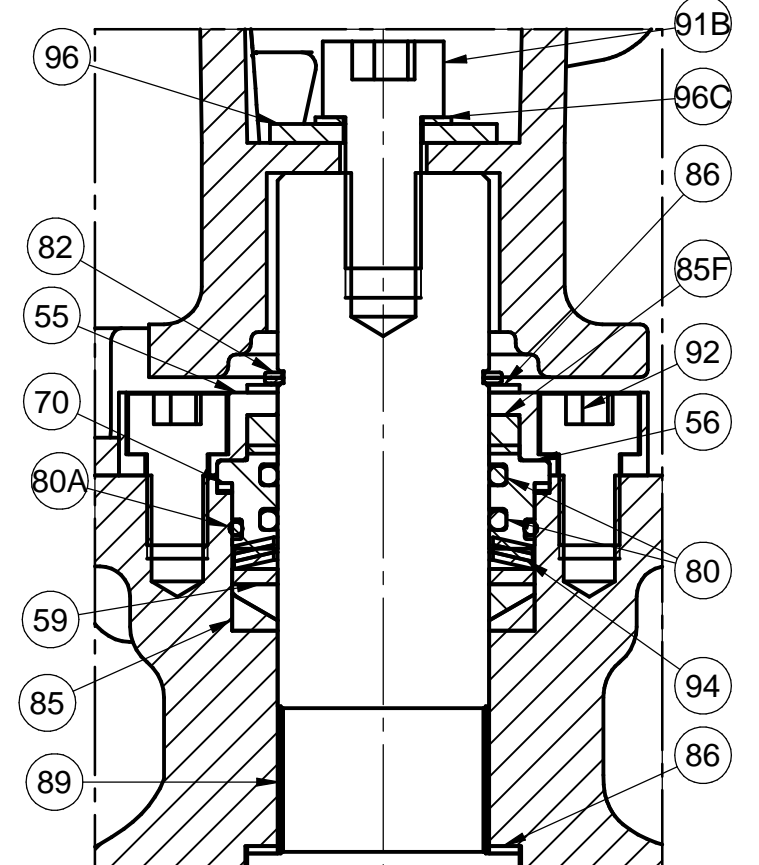
STUFFING BOX DETAIL

NPS 1/2"x3/8" TO
1"x 3/4"



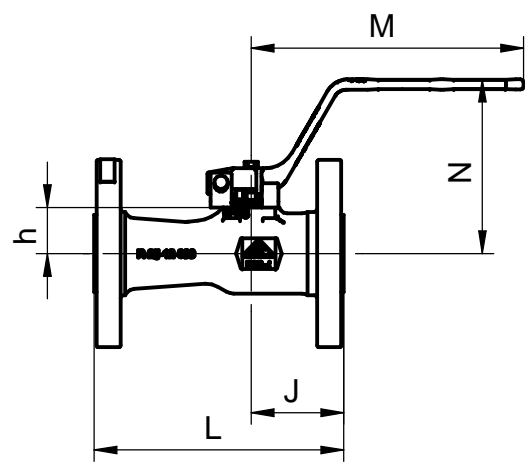
STUFFING BOX DETAIL

NPS 1 1/2"x1 1/4" TO
2"x1 1/2"

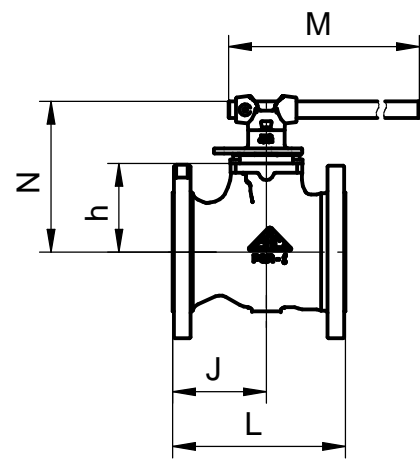


STUFFING BOX DETAIL

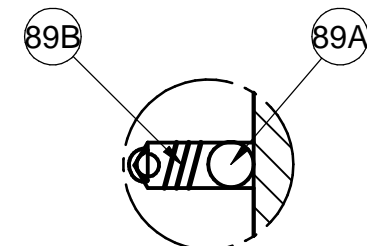
NPS 3"x2 1/2" TO
12"x10"



NPS 1/2"x3/8" TO
2"x1 1/2"



NPS 3"x2 1/2" TO
12"x10"




ANTISTATIC DETAIL

- Design and dimensions are subject to change without notice, except the dimensions established by international standard
- Dimensions in mm

Size NPS	D	E	J	L		h	M	N	WEIGHT Kg		ISO 5211
				CLASS 150	CLASS 300				CLASS 150	CLASS 300	
1/2" x 3/8"	11	15	53	108	140	19	180	102	1,6	2	F03s
3/4" x 1/2"	14	20,8	60	117	152	26	180	108	2,3	3,3	F03s
1" x 3/4"	19	25,4	61	127	165	30,5	180	115	3,2	4,3	F03
1 1/2" x 1 1/4"	30	38	76	165	190	47,5	240	135	6,2	9	F05
2" x 1 1/2"	38	51	80	178	216	53	240	142	9	11	F05
3" x 2 1/2"	62	76	89	203	282,5	95,5	350	170	18,5	25,7	F07
4" x 3"	76	101,5	105	229	305	117	600	200	30	43,3	F10
6" x 4"	100	152,5	127	267	403	135	*	*	45,8	76,8	F10
8" x 6"	144	202,5	146	292	419	187,5	*	*	88,3	132,8	F12
10" x 8"	187	255	175	330	457	229	*	*	146	208,6	F14
12" x 10"	220	305	178	356	-	267	*	*	220,1	-	F16

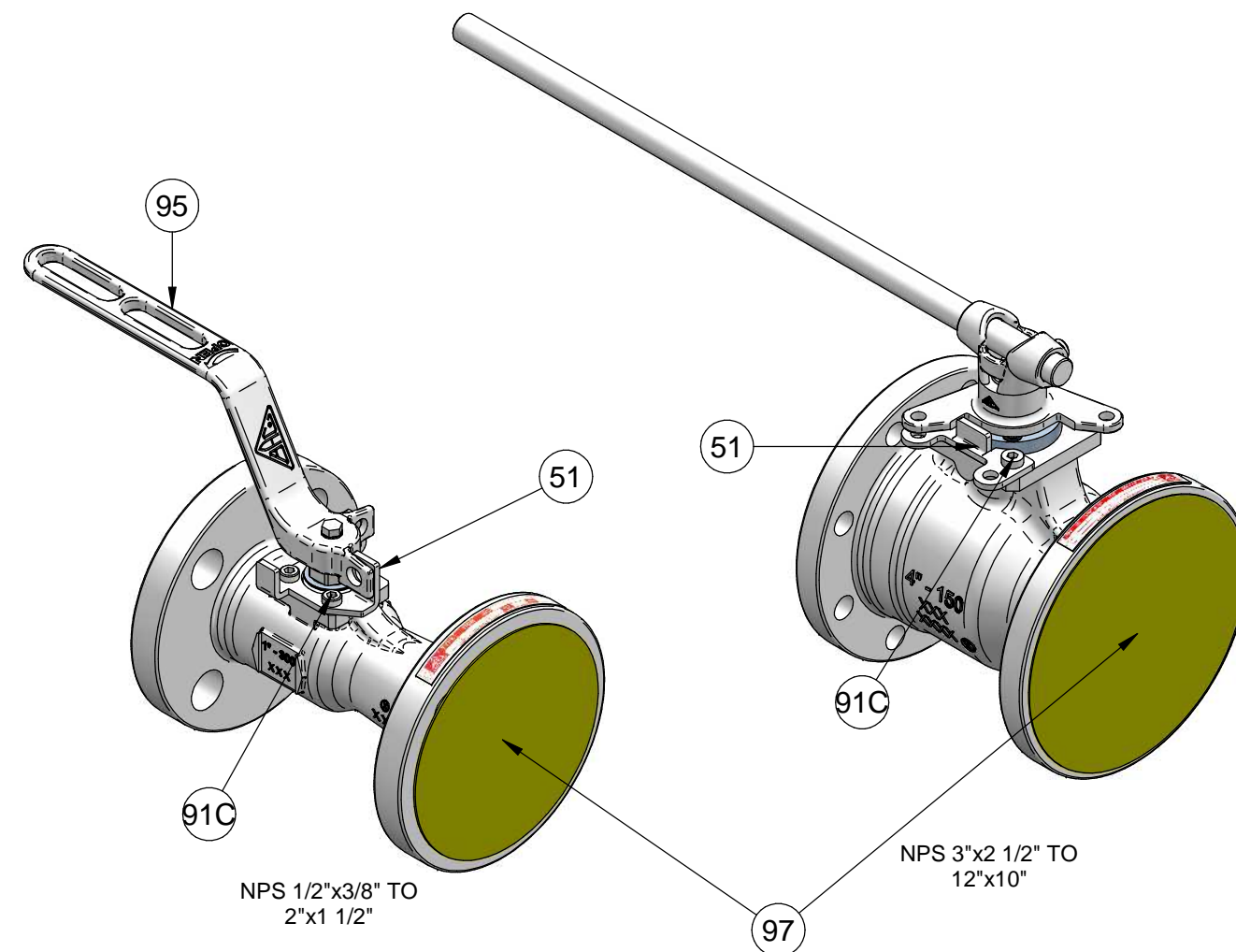
* Dimensions on request

01	First Issue	J. Marchante	Jordi Font	13-06-2014
Rev.	Descripción / Description	Dibujado / Drawn	Aprobado / Approved	Fecha / Date
 BAC bac valves <p>Tapis, 126 - P.O. Box, 13 - 17600 FIGUERES (Girona) Spain Tel.: (34) 972 67 70 52 - Fax: (34) 972 50 90 40 E-mail: bac@bacvalves.com - web: www.bacvalves.com</p>				
Título / Title PLANO GENERAL VÁLVULA DE BOLA "BAC" TIPO PQR_i ANSI GENERAL DRAWING "BAC" BALL VALVE PQR_i ANSI TYPE		Dibujado / Drawn J. Marchante		Escala / Scale
		Aprobado / Approved J. Font		Fecha / Date 13-06-2014
Plano nº / Drawing nr. DT-GAD-PQR_i-ANSI-SS-OR-STD-H95			Rev. 01	

97	END CAP COVER	2	PEBD			
96C	WASHER	1	ISO 3506 A2-70			
96	WASHER	1	ASTM A240 304			
95	WRENCH	1	ASTM A351 CF8			
94	SPRING WASHER	-	ASTM A240 316			
93	WRENCH SUPPORT	1	ASTM A351 CF8			
92	GLAND BOLT	4	ISO 3506 A2-70			
91D	WRENCH SUPPORT BOLT	1	ISO 3506 A2-70			
91C	STOP PLATE BOLT	2/3	ISO 3506 A2-70			
91B	WRENCH BOLT	1	ISO 3506 A2-70			
90	WRENCH TUBE	1	ASTM A479 304	CS ST.42 (ZINC PLATED)	ASTM A479 304	
89B	ANTISTATIC SPRING	2	ASTM A479 316			
89A	ANTISTATIC BALL	2	ASTM A479 316			
89	BEARING	1	PTFE			
86	AXIAL BEARING	1/2	PTFE VIRGIN			✓
85F	FIRESAFE STEM SEAL	1	GRAPHITE			✓
85	GLAND PACKING	1	PTFE MOD.			✓
84	ID PLATE	1	ASTM A240 316			
82	CIRCLIP	1	ASTM A479 316			
81	STEM O-RING	1	VITON PTFE COATING			✓
80A	GUIDE O-RING	1	VITON B90			✓
80	GUIDE O-RING	1/2	VITON PTFE COATING			✓
76	INSERT GASKET	1	GRAPHITE			✓
72	BODY SEAL	1	PTFE VIRGIN			✓
70	FIRESAFE TOP SEAL	1	GRAPHITE			✓
60	SEAT	2	PTFE MOD.			✓
59	WASHER GUIDE	1	ASTM A479 316			
57	GUIDE RING	1	ASTM A479 316			
56	FOLLOWER	1	ASTM A479 316			
55A	TOP FLANGE NUT	1	ISO 3506 A2-035			
55	GLAND PLATE	1	ASTM A479 304	A105 + BLACK FINISHED	ASTM A479 304	
53	LOCK WASHER	1	ASTM A240 304			
51	INDICATOR	1	ASTM A240 304			
42	BODY 2	1	ASTM A-351 CF8M ASTM A-479 316	ASTM A-216 WCC ASTM A-105 N	ASTM A352 LCC ASTM A350 LF2	
30	STEM	1	ASTM A-479 316			
20	BALL	1	ASTM A-351 CF8M or ASTM A479 316			
12	BODY	1	ASTM A-351 CF8M ASTM A479 316	ASTM A-216 WCC ASTM A-105 N	ASTM A352 LCC ASTM A350 LF2	
POS.	DENOMINATION	QTY.	MAT. SS VERSION	MAT. CS VERSION	MAT. LTCS VERSION	SPARE PARTS

STANDARDS

DESIGN	ISO 17292
FACE TO FACE	ASME B16.10 SHORT PATTERN
FLANGED	ASME B16.5 RF SMOOTH FINISH Ra 3.2-6.3 µm
FIRE SAFE	ISO 10497 , API 607 5ed
ANTI-STATIC	ISO 17292
TOP FLANGE	ISO 5211
INT. WETTED PARTS	NACE MR0175
PED	97/23/EC module B+D



01	First Issue	J. Marchante	Jordi Font	13-06-2014
Rev.	Descripción / Description	Dibujado / Drawn	Aprobado / Approved	Fecha / Date
 BAC bac valves				
Tapis, 126 - P.O. Box, 13 - 17600 FIGUERES (Girona) Spain Tel.: (34) 972 67 70 52 - Fax: (34) 972 50 90 40 E-mail: bac@bacvalves.com - web: www.bacvalves.com				
Título / Title		Dibujado / Drawn	Escala / Scale	
PLANO GENERAL VÁLVULA DE BOLA "BAC" TIPO PQR_i ANSI GENERAL DRAWING "BAC" BALL VALVE PQR_i ANSI TYPE		J. Marchante		
		Aprobado / Approved	Fecha / Date	
		J. Font	13-06-2014	
Plano nº / Drawing nr.			Rev.	
DT-GAD-PQR_i-ANSI-SS-OR-STD-H95			01	