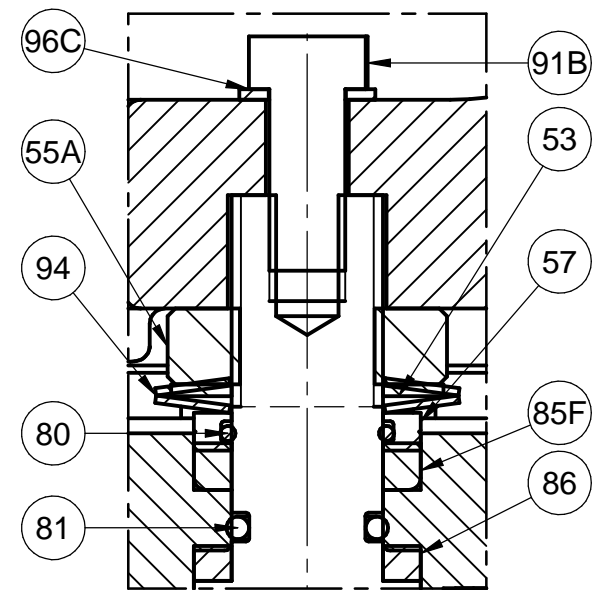
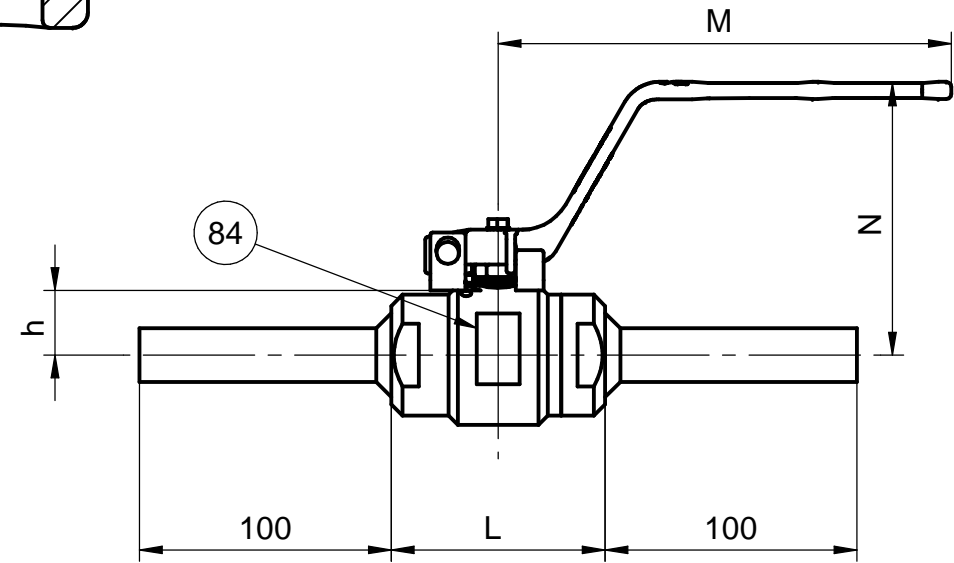
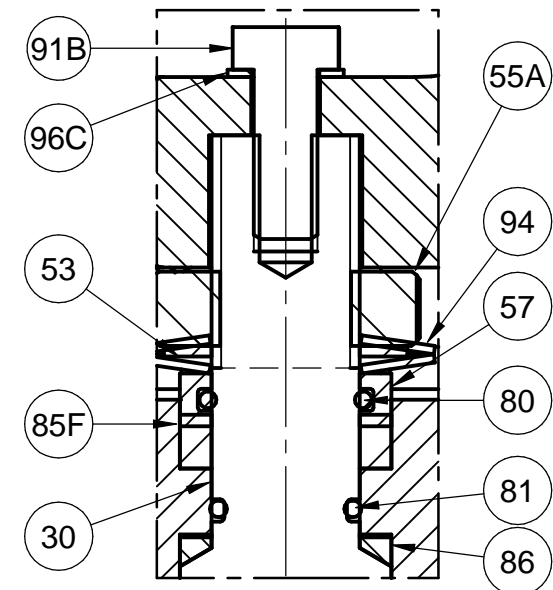


ANTISTATIC DETAIL



STUFFING BOX DETAIL

NPS 1/2" TO 1"



STUFFING BOX DETAIL

NPS 1 1/4" TO 1 1/2"

Size NPS	D	G	L	h	M	N	WEIGHT Kg	ISO 5211
1/2" x 3/8"	11	13	75	19	180	96	0,9	F03s
1/2" 3/4" x 1/2"	14	14	85	27,75	180	102	1,8	F03s
3/4" 1" x 3/4"	19	15	95	30,5	180	107	2,5	F03
1" 1 1/4" x 1"	24	17	105	41	180	120	4	F04
1 1/4" 1 1/2" x 1 1/4"	30	18	120	49,5	240	130	5,5	F05
1 1/2" 2" x 1 1/2"	38	18	130	53	240	140	7,5	F05



BAC
bac valves

Tapis, 126 - P.O. Box, 13 - 17600 FIGUERES (Girona) Spain
Tel.: (34) 972 67 70 52 - **Fax:** (34) 972 50 90 40
E-mail: bac@bacvalves.com - **web:** www.bacvalves.com

Título / Title
 PLANO GENERAL VÁLVULA DE BOLA "BAC"
 TIPO SR8 + NIPPLES PLANE END SCH 80
GENERAL DRAWING "BAC" BALL VALVE
 TYPE SR8 + NIPPLES PLANE END SCH 80

Dibujado / Drawn
 J. Marchante

Escala / Scale

Aprobado / Approved
 J. Font

Fecha / Date
 24-04-2014

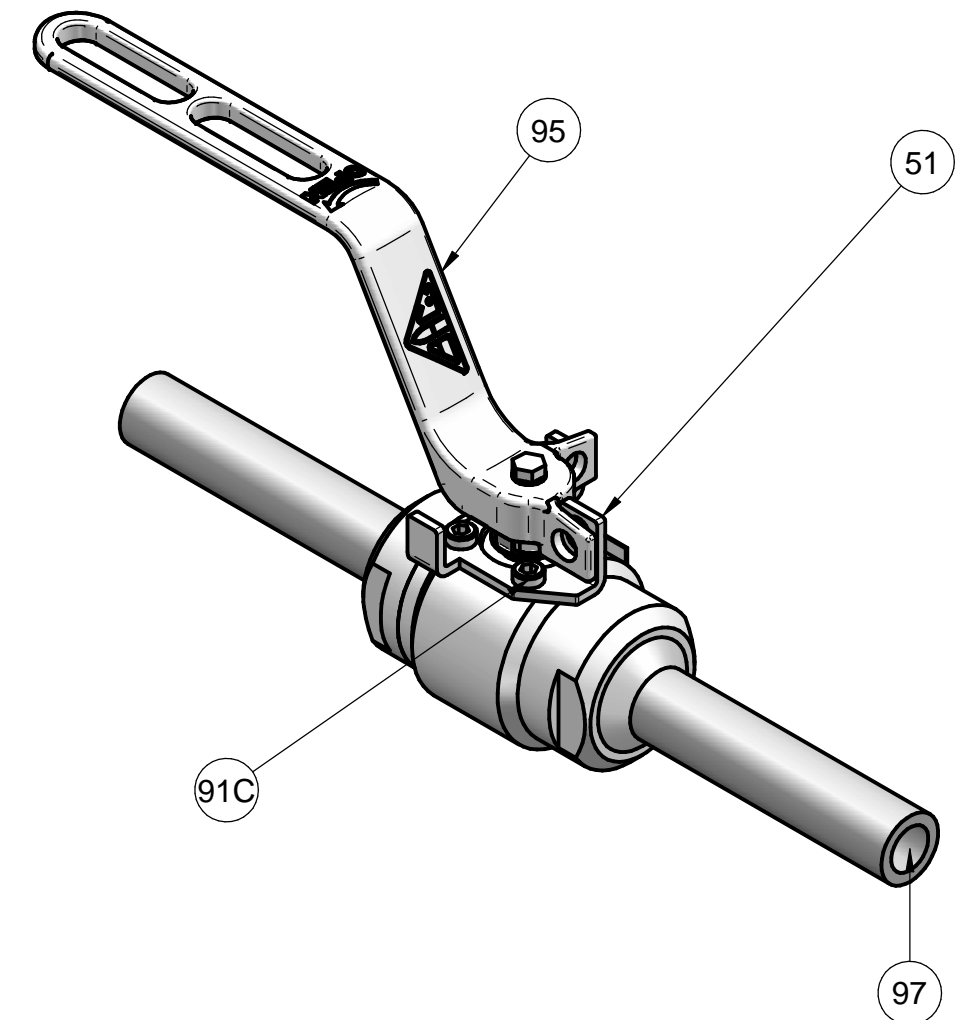
Plano nº / Drawing nr.
 DP-DW-SR8-2NPE-ANSI-800

Sheet
 1/2

97	END CAP COVER	2	PEBD		
96C	WASHER DIN 6798.A	1	ISO 3506 A2-70		
96	WASHER DIN 9021	1	ASTM A240 304		
95	WRENCH	1	ASTM A351 CF8		
94	SPRING WASHER	-	ASTM A240 316		
91C	STOP PLATE BOLT	2/3	ISO 3506 A2-70		
91B	WRENCH BOLT	1	ISO 3506 A2-70		
89B	ANTISTATIC SPRING	2	ASTM A479 316		
89A	ANTISTATIC BALL	2	ASTM A479 316		
86	AXIAL BEARING	1/2	PTFE VIRGIN		✓
85F	FIRESAFE STEM SEAL	1	GRAPHITE		✓
84	ID PLATE	1	ASTM A240 316		
81	STEM O-RING	1	VITON B90 ED		✓
80	GUIDE O-RING	1	VITON B90 ED		✓
76	BODY SEAL	1	GRAPHITE		
72	BODY SEAL	1	PTFE VIRGIN		✓
60	SEAT	2	PTFE MOD. + RCAR		✓
57	GUIDE RING	1	ASTM A479 316		
55A	TOP FLANGE BOLT DIN 439	1	ISO 3506 A2-70		
53	LOCK WASHER	1	ASTM A240 304		
51	INDICATOR	1	ASTM A240 304		
41	BODY CONNECTOR	1	ASTM A-479 316	ASTM A-105 N	
30	STEM	1	ASTM A-479 316		
20	BALL	1	ASTM A-351 CF8M or ASTM A-479 316		
19	NIPPLES	2	ASTM A-479 316	ASTM A-106	
11	BODY	1	ASTM A-479 316	ASTM A-105 N	
POS.	DENOMINATION	QTY.	MAT. SS VERSION	MAT. CS VERSION	SPARE PARTS

STANDARDS

DESIGN	ISO 17292
FACE TO FACE	MANUFACTURED STANDARD
CONNECTION	PLAIN END / <u>NPT</u> : ANSI B1.20.1 / <u>SW</u> : ISO 17292
FIRE SAFE	ISO 10497
ANTI-STATIC	ISO 17292
TOP FLANGE	ISO 5211
INT. WETTED PARTS	NACE MR0175
PED	97/23/EC module B+D



BAC
bac valves

Tapis, 126 - P.O. Box, 13 - 17600 FIGUERES (Girona) Spain
Tel.: (34) 972 67 70 52 - **Fax:** (34) 972 50 90 40
E-mail: bac@bacvalves.com - **web:** www.bacvalves.com

Titulo / Title

PLANO GENERAL VÁLVULA DE BOLA "BAC"
TIPO SR8 + NIPPLES PLANE END SCH 80
GENERAL DRAWING "BAC" BALL VALVE
TYPE SR8 + NIPPLES PLANE END SCH 80

Dibujado / Drawn

J. Marchante

Escala / Scale

Aprobado / Approved
J. Font

Fecha / Date

24-04-2014

Plano nº / Drawing nr.

DP-DW-SR8-2NPE-ANSI-800

Sheet

2/2