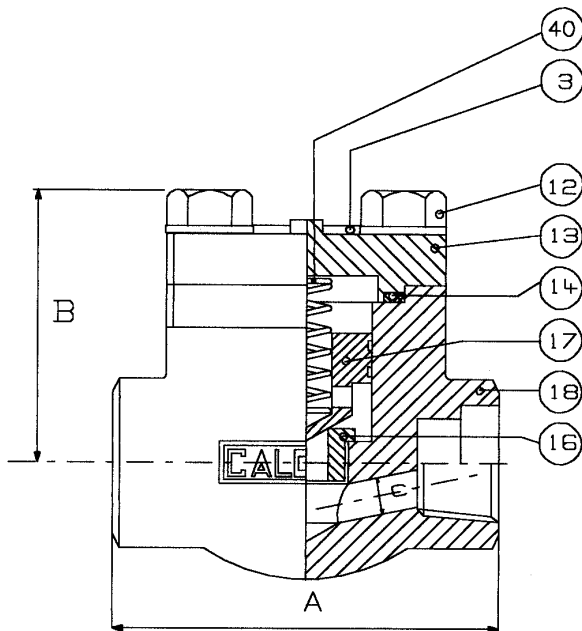


## VALVE DATA SHEET

FLOW CONTROL COMPANY LTD

 ORDER POR00016  
 ITEM : 5.00 ÷ 5.10

CALOBRI FIG.:	<b>P8 A105-F6-HFS</b>
PISTON CHECK VALVE S.800 SQUARE BOLTED BONNET REDUCED BORE SOCKET WELD OR THREADED NPT	



### LIST OF COMPONENT / MATERIAL SPECIFICATION

No.	Component	Material
003	NAMEPLATE	ALLUMINIUM
012	BOLTS	ASTM A193 B7
013	BONNET	ASTM A105
014	GASKET	316+GRAPHITE SPIRAL WOUND
016	SEAT	ASTM A276 TYPE 410 + STELLITE GR.6
017	PISTON	ASTM A276 TYPE 410
018	BODY	ASTM A105
040	SPRING	S.S. AISI 302

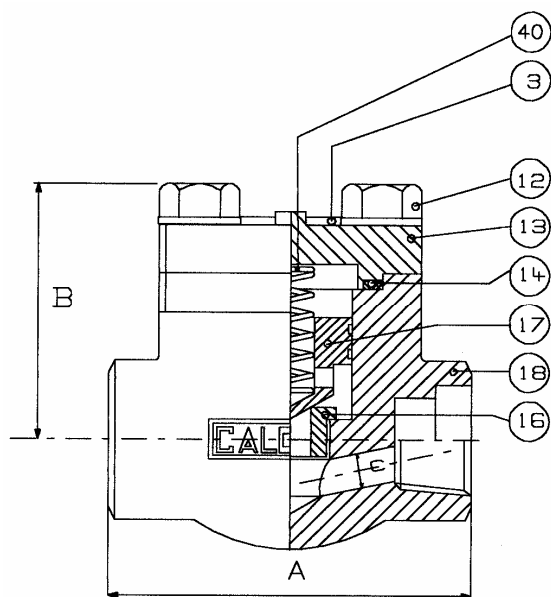
### DIMENSION AND WEIGHT

REDUCED BORE		A	B	C	Weight Kg.
Dn	Fig.n°	End to end	Centre to open	Bore Diam.	
-	<b>P8</b>	80	55	9	1.3
15		90	60	13	1.4
20		110	75	18	2.4
25		127	80	23	4
32		155	100	30	7.4
40		170	120	35	8
50		-	-	-	-

## VALVE DATA SHEET

FLOW CONTROL COMPANY LTD

ORDER POR00016  
ITEM : 6.00 ÷ 6.10



CALOBRI FIG.: **P8 F316/316**  
PISTON CHECK VALVE S.800 BOLTED BONNET  
REDUCED BORE SOCKET WELD OR THREADED  
NPT

### LIST OF COMPONENT / MATERIAL SPECIFICATION

Code	Component Name	Material Specification
003	NAMEPLATE	ALUMINIUM
012	BOLTS	ASTM A193 B8
013	BONNET	ASTM A182 F316
014	GASKET	316+GRAFOIL SPIRAL WOUND
016	SEAT	ASTM A479 TYPE 316
017	PISTON	ASTM A479 TYPE 316
018	BODY	ASTM A182 F316L
040	SPRING	S.S. AISI 302

### DIMENSION AND WEIGHT

REDUCED BORE		A	B	C	Weight Kg.
Dn	Fig.n°	End to end	Centre to open	Bore Diam.	
-	<b>P8</b>				
15		80	55	9	1.3
20		90	60	13	1.4
25		110	75	18	2.4
32		127	80	23	4
40		155	100	30	7.4
50		170	120	35	8
-					