

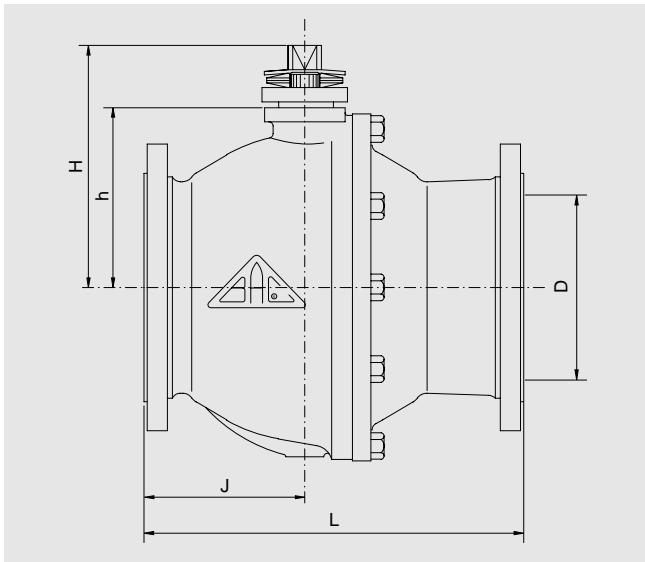


Construction: Split body, full bore, trunnion mounted ball, fire-safe tested design to BS 6755 part 2, blow-out proof stem, cavity relieving seats, block & bleed (optional), anti-static device, pressure balance hole in ball, design acc. to BS 5351.

Rating: BS 5351 Class 150-300

Connection: Flanges ASME B 16.5 RF, Smooth Finish (Ra 3.2-6.3 μm)
Flanges BS 1560 part 2 RF.

Face-to-face dimensions: ASME B16.10 Long Pattern / BS 2080.



MATERIALS	VERSION CS	VERSION SS
Bodies	ASTM A-216 WCC	ASTM A-351 CF8M
Ball/Stem	ASTM A-351 CF8M / SS 316	
Seats	PTFE	
Seals	GRAPHITE / PTFE	
Bolts	ASTM A-193 B7	SS 316 (A4-70)

Other materials, on request (subject to quantity).

NPS	D	CLASS 150	CLASS 300	H	h	J	Cv	CLASS 150	CLASS 300	CLASS 150	CLASS 300
		L	L					TORQUE *	WEIGHT		
		mm						Nm	kg		
10"	254	533	569	324	255	225	10.600	1.300	1.400	240	273
12"	305	610	648	400	315	260	20.000	1.800	2.000	341	372
14"	337	686	762	424	340	280	23.096	2.600	2.750	440	472
16"	387	762	—	463	388	300	31.605	3.500	—	615	—

* Normally expected torque, in clean conditions, without filled seats, at ▲p. max. acc. valve rating and seat rating (see page 6).
For actuator sizing allow adequate safety factor.