

Description:

Compact and lightweight electric actuator fitted to 2 way full bore 316 stainless steel ball valves suitable for standard process applications. The actuators fit directly onto the valve thus saving on space and cost as no mounting kit is required.

The HQ series electric actuators are available in a wide range of voltages and control options to suit your specific requirements.

High quality electrical components and alloy gearing ensure reliability and extended life span.

Standard Actuator Specification:

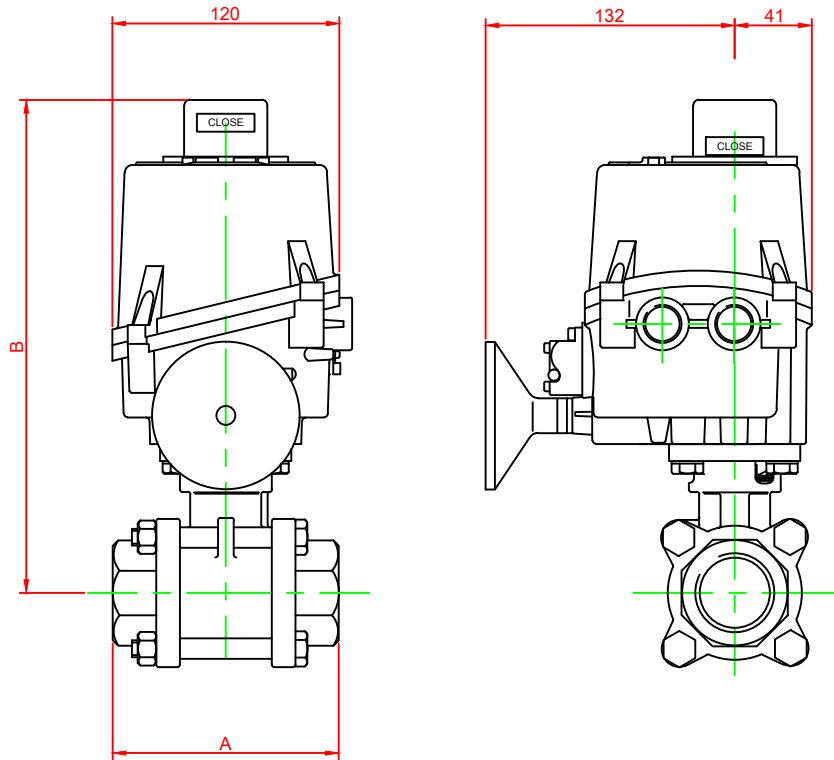
Enclosure	:	Weatherproof IP67
Power Supply	:	85/265v 50/60Hz, 24vAC/DC
Operating Time (50/60Hz)	:	13 Seconds
Limit Switches	:	4 x SPDT, 250V AC 10A
Anti Condensation Board	:	2W
Manual Override	:	Handwheel
Rated Current (Amps)	:	24VAC/DC - 0.8A 110VAC - 0.1A 240VAC - 0.05A
Conduit Entries	:	2 x M20
Ambient Temperature	:	-20°C to +80°C
External Surface	:	Hard anodised prior to Polyester paint finish

Standard Valve Specification:

Body	:	316 Stainless Steel
Seat	:	RPTFE
Stem Seal	:	PTFE
Pressure Rating	:	1/4" to 1" - Maximum 82 Bar 1 1/4" - 1 1/2" - Maximum 69 Bar 2" - Maximum 62 Bar
Temperature	:	-25°C to +200°C
Ends	:	Screwed BSPT

Options:

- Modulating Control
- Larger Sizes
- 3 Way valves
- Alternative valve materials
- Pneumatic actuators



DATA SHEET NO.
5.04.2

ISSUE DATE
SEPT 2017

ISSUE REF
B

Dimensions				Weight
VALVE	ACTUATOR	A	B	Kg
1/4" (6MM)	HQ-005	50	215	3.5
3/8" (10MM)	HQ-005	60	215	3.5
1/2" (15MM)	HQ-005	75	224	3.5
3/4" (20MM)	HQ-005	80	232	4
1" (25MM)	HQ-005	90	240	4.2
1 1/4" (32MM)	HQ-005	110	246	5
1 1/2" (40MM)	HQ-005	120	252	6
2" (50MM)	HQ-005	140	260	7